

**NEW!**

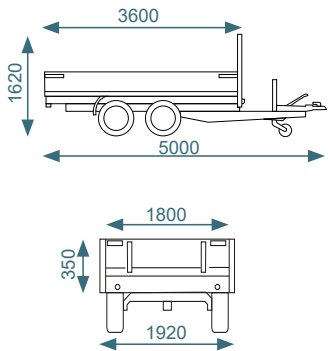


Tippers

THREE-WAY TIPPER  
**PW3.6**



- Hot dip galvanized chassis
- 2 strong axles
- Plywood floor with galvanised protection steel plate
- Removable aluminium drop sides 350 mm
- Heavy duty automatic jockey wheel
- Protected front and rear lights
- Electro-hydraulic pump with battery
- Integrated ramps rack with strips for noise reduction
- Prop rod
- Rectangular posts (no residue in the corners)
- Removable front H-Frame galvanised steel
- 8 tie rings



Unladen weight = 800 kg  
Max. Gross Weight = 2700 kg  
to 3500 kg

